

Lever sets for standard doors acc. to DIN EN 1906, category of use 3
Lever version TER34 Rio Steel
by KARCHER DESIGN

Solid patented 3-piece fixing rose
and escutcheons squared, 2 1/16" x 3/8",
with 7mm lugs and nylon floating bearing,
sprung loaded inner plate with attached lever
Heavy duty bolt through M4 fixings
8mm offset drilled spindle,
diameter of handle: 13/16"
standard door thickness: 1 3/8" – 2"

Options:

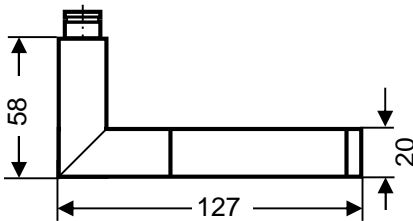
PAS – Passage set with rosette

Privacy – Passage set with rosette and matching privacy bolt

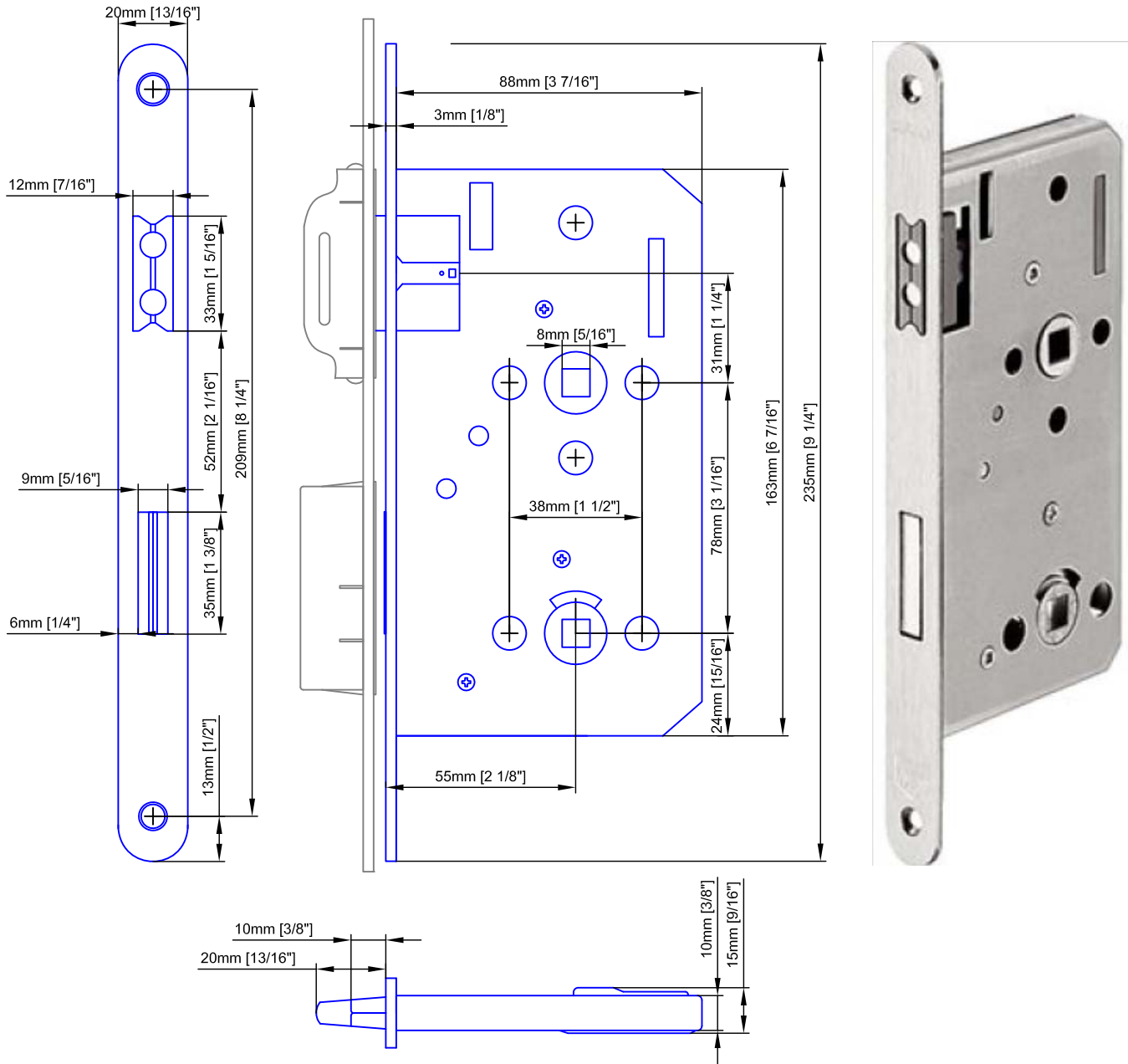
Security – Passage set with rosette and profile cylinder with rosette

Finish: satin stainless steel (finish code 71)

Dimensional detail:



BARTELS Magnetic Moritse [BAD-Privacy]



BARTELS
Magnetic Mortise [BAD-Privacy]

All millimeter dimensions are exact and supersede the inch conversions.

DATE: DECEMBER 2013

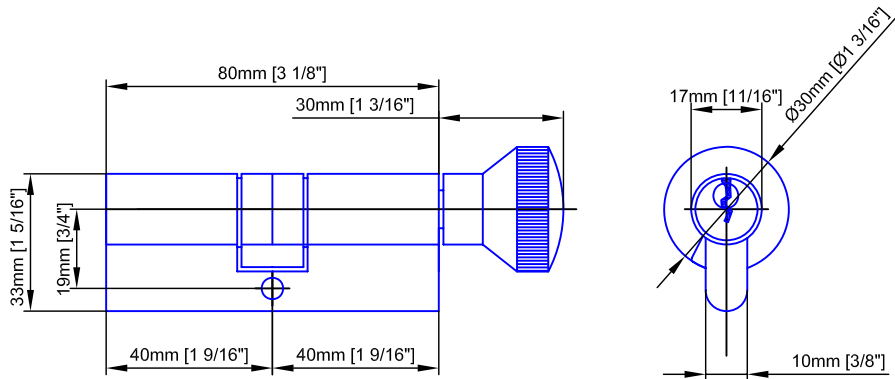
PREPARED BY: C. ANDRYKA



1901 Tigertail Blvd.
Dania Beach, FL 33004
www.bartelsdoors.com
tel: 954.924.6137
fax: 954.924.6138

BARTELS
Profile Cylinder [PZ-Security]

40/40 Profile Cylinder
 Max. Door Thickness = 54mm [2 1/8"]



BARTELS
Profile Cylinder [PZ-Security]

All millimeter dimensions are exact and supersede the inch conversions.

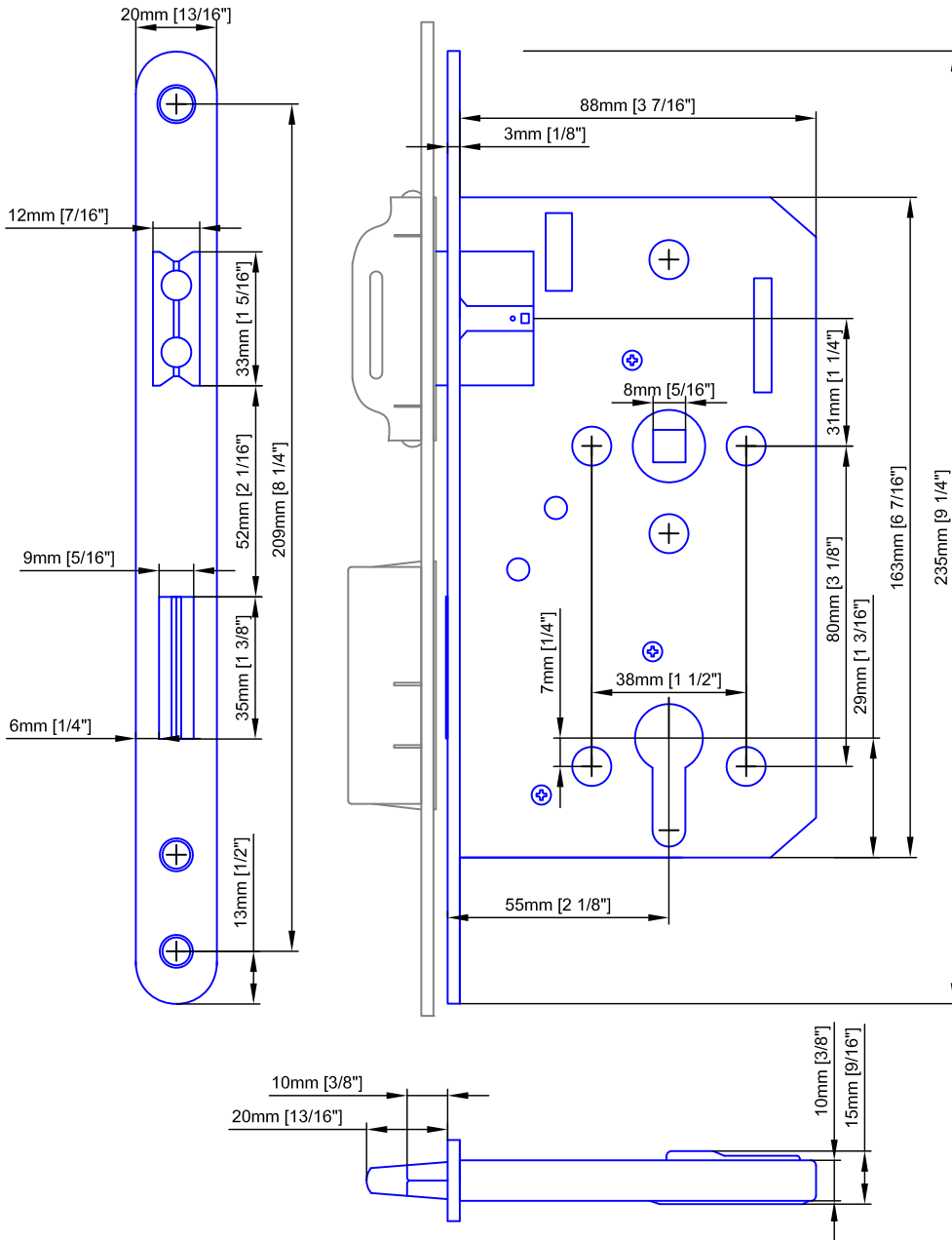
DATE: JUNE 2012

PREPARED BY: C. ANDRYKA



1901 Tigertail Blvd.
 Dania Beach, FL 33004
www.bartelsdoors.com
 tel: 954.924.6137
 fax: 954.924.6138

BARTELS Magnetic Moritse [PZ-Security]



BARTELS
Magnetic Mortise [PZ-Security]

All millimeter dimensions are exact and supersede the inch conversions.

DATE: DECEMBER 2013

PREPARED BY: C. ANDRYKA



1901 Tigertail Blvd.
Dania Beach, FL 33004
www.bartelsdoors.com
tel: 954.924.6137
fax: 954.924.6138